

20 A

U MAX
500 V

DECONTACTOR™ DN8



IP54⁽¹⁾
IP55⁽²⁾



1-6 mm² ⁽³⁾
1,5-10 mm² ⁽⁴⁾



METAL



IK09



-40 °C
+60 °C



AC-22



60309-1
60309-4
60947-3



EMC

- [1] IP protection plug connected.
- [2] IP protection lid closed.
- [3] Flexible wiring (min.-max.).
- [4] Stranded wiring (min.-max.).

LOAD-BREAK CAPABILITY OF THE DECONTACTOR™

Comply with IEC/EN 60309-1 and IEC/EN 60309-4 standards	20 A/500 V AC
Load-break capability according to IEC/EN 60947-3/AC-22	20 A/400 V
	10 A/500 V



Other cable sections:
please contact us

**SOCKET-
OUTLET** female
DN8



INLET male
DN8



20-24 V AC	2P	198408A	198808A
220-250 V AC	1P+N+E	1984015	1988015
380-440 V AC	3P+E	1984013	1988013
220-250 V AC 380-440 V AC	3P+N+E	1984017	1988017
480-500 V AC	3P+E	1984093	1988093
480-500 V AC	3P+N+E	1984097	1988097

Dual-voltage
socket-outlet

► Other currents, voltages, frequencies and contact configurations are available.

OPTIONS Reference

INDUSTRIAL/DOMESTIC ADAPTERS

Industrial inlet MARECHAL® 1P+N+E and domestic socket-outlet 10/16 A 230 V fuse protection 10 A and 16 A (with integrated fuse). All these plug adapters are available to local standards: replace D11 by D40 for UK, D30 for Germany/Netherlands/Luxembourg, D06 for Italy.



1988015D11

LOCKING PIN FOR 3 PADLOCKS Ø 8 mm (PADLOCK NOT SUPPLIED)



Socket-outlet ref. + 844

SAFETY HASP FOR UP TO 6 PADLOCKS



873A541

LARGER RELEASE BUTTON



Socket-outlet ref. +453

INLET CAP



198A126

180° OPENING LID



Socket-outlet ref. +10

SELF-RETURNING LID (WITHOUT FULL CLOSURE IP40)



Socket-outlet ref. +R

180° OPENING & SELF-RETURNING LID



Socket-outlet ref. +18

IP66/IP67 SOCKET-OUTLET AND INLET (RECOMMENDED IN THE CASE OF COUPLER SOCKET)

Ref. + 600

ELECTROMAGNETIC COMPATIBILITY (EMC) NEW

Please order a metal threaded accessory herewith, together with a EMC cable gland.

PRODUCTS AVAILABLE IN BLACK

The black dot means these products are also available in black color. Replace the second character of the product reference with 5

PRODUCT WITH ANTI-BACTERIAL TREATMENT NEW

This sticker means that the product is also available with an antibacterial treatment. Add the suffix AG to the reference. For more information on anti-bacterial treated handles please consult us.

SLEEVE Reference

POLY SLEEVE



30°

512M3



70°

512M7

METAL SLEEVE



0° (Straight)

592M0



30°

592M3

BOXES Reference

POLY BOX



30°

M20

512B3M20

30°

M25

512B3M25

METAL BOX (+ EARTHING WIRE)



20°

M20

592B2M20

20°

M25

592B2M25

POLY BOX+ POLY SLEEVE

70°

Without hole

512C7000

70°

Hole Ø 20

512C7M20

70°

Hole Ø 25

512C7M25

Extra earth bar ref: 51AA089

70°

Hole Ø 32

512C7M32

70°

Hole Ø 40

512C7M40

METAL BOX (+ EARTHING WIRE) + POLY SLEEVE

30°

M20

512C3M20

30°

M25

512C3M25

30°

M32

512C3M32

30°

M40

512C3M40

METAL BOX (+ EARTHING WIRE) + METAL SLEEVE

30°

M20

592C3M20

30°

M25

592C3M25

30°

M32

592C3M32

0° (Straight)

M20

592C0M20

0° (Straight)

M25

592C0M25

0° (Straight)

M32

592C0M32

Cable glands are not delivered with the boxes.

HANDLE Reference

POLY HANDLE WITH GLAND



5-21 mm

512P0D21

POLY HANDLE + POLY CABLE GLAND

5-12 mm

512P020P



9-18 mm

512P025P

14-25 mm

512P032P

18-32 mm

512P040P

POLY HANDLE (WITHOUT CABLE GLAND)



M20

512P0M20

M25

512P0M25

M32

512P0M32

M40

512P0M40

METAL HANDLE WITH METAL GLAND (+ EARTHING WIRE)



7-13 mm

592P020M

8-16 mm

592P025M

16-24 mm

592P032M

METAL HANDLE METRIC THREAD ENTRY (WITHOUT CABLE GLAND)



M20

592P0M20

M25

592P0M25

M32

592P0M32

30 A

U MAX
500 V

DECONTACTOR™ DN1



IP54⁽¹⁾
IP55⁽²⁾



2,5-6 mm² ⁽³⁾
2,5-10 mm² ⁽⁴⁾



METAL



IK09



-40 °C
+60 °C



AC-22



60309-1
60309-4
60947-3



EMC

- (1) IP protection plug connected.
- (2) IP protection lid closed.
- (3) Flexible wiring (min.-max.).
- (4) Stranded wiring (min.-max.).

LOAD-BREAK CAPABILITY OF THE DECONTACTOR™

Comply with IEC/EN 60309-1 and IEC/EN 60309-4 standards	30 A/500 V AC
Load-break capability according to IEC/EN 60947-3/AC-22	30 A/400 V
	16 A/500 V



**Other cable sections:
please contact us**

**SOCKET-
OUTLET** female
DN1



INLET male
DN1



20-24 V AC	2P	191408A	191808A
220-250 V AC	1P+N+E	1914015	1918015
380-440 V AC	3P+E	1914013	1918013
220-250 V AC 380-440 V AC	3P+N+E	1914017	1918017
480-500 V AC	3P+E	1914093	1918093
480-500 V AC	3P+N+E	1914097	1918097

**Dual-voltage
socket-outlet**

► Other currents, voltages, frequencies and contact configurations are available.

OPTIONS Reference

LOCKING PIN FOR 3 PADLOCKS Ø 8 mm (PADLOCK NOT SUPPLIED)



Socket-outlet ref. + 844

SAFETY HASP FOR UP TO 6 PADLOCKS



873A541

LARGER RELEASE BUTTON



Socket-outlet ref. +453

INLET CAP



191A126

180° OPENING LID



Socket-outlet ref. +10

SELF-RETURNING LID (WITHOUT FULL CLOSURE IP40)



Socket-outlet ref. +R

180° OPENING & SELF-RETURNING LID



Socket-outlet ref. +18

IP66/IP67 SOCKET-OUTLET AND INLET (RECOMMENDED IN THE CASE OF COUPLER SOCKET)

Ref. + 600

ELECTROMAGNETIC COMPATIBILITY (EMC) NEW

Please order a metal threaded accessory herewith, together with a EMC cable gland.

PRODUCTS AVAILABLE IN BLACK

The black dot means these products are also available in black color. Replace the second character of the product reference with 5

PRODUCT WITH ANTI-BACTERIAL TREATMENT NEW

This sticker means that the product is also available with an antibacterial treatment. Add the suffix AG to the reference. For more information on anti-bacterial treated handles please consult us.

HANDLE Reference

Input/
Cable outer Ø

POLY HANDLE WITH GLAND



10-30 mm

513P0D30

POLY HANDLE + POLY CABLE GLAND



9-18 mm

513P025P

14-25 mm

513P032P

18-32 mm

513P040P

POLY HANDLE (WITHOUT CABLE GLAND)



M20

513P0M20

M25

513P0M25

M32

513P0M32

M40

513P0M40

METAL HANDLE WITH METAL GLAND (+ EARTHING WIRE)



7-13 mm

593P020M

8-16 mm

593P025M

16-24 mm

593P032M

22-32 mm

593P040M

METAL HANDLE METRIC THREAD ENTRY (WITHOUT CABLE GLAND)



M20

593P0M20

M25

593P0M25

M32

593P0M32

M40

593P0M40

BOXES Reference



POLY BOX



30°

M25

513B3M25

METAL BOX (+ EARTHING WIRE)



20°

M20

593B2M20

20°

M25

593B2M25

20°

M32

593B2M32

POLY BOX+ POLY SLEEVE



70°

Without hole

513C7000

70°

Hole Ø 25

513C7M25

70°

Extra earth bar ref: 51AA089

Hole Ø 32

513C7M32

70°

Hole Ø 40

513C7M40

METAL BOX (+ EARTHING WIRE) + POLY SLEEVE

30°

M20

513C3M20

30°

M25

513C3M25

30°

M32

513C3M32

30°

M40

513C3M40

METAL BOX (+ EARTHING WIRE) + METAL SLEEVE

30°

M20

593C3M20

30°

M25

593C3M25

30°

M32

593C3M32

30°

M40

593C3M40

0° (Straight)

M20

593C0M20

0° (Straight)

M25

593C0M25

0° (Straight)

M32

593C0M32

0° (Straight)

M40

593C0M40

70°

M20

593C7M20

70°

M25

593C7M25

70°

M32

593C7M32

70°

M40

593C7M40

Cable glands are not delivered with the boxes.

SLEEVE Reference



POLY SLEEVE



30°

513M3



70°

513M7

METAL SLEEVE



0° (Straight)

593M0



30°

593M3



70°

593M7

50 A

U MAX
500 V

DECONTACTOR™ DN3



IP54⁽¹⁾
IP55⁽²⁾



2,5-16 mm² ⁽³⁾
2,5-25 mm² ⁽⁴⁾



METAL



IK09



-40 °C
+60 °C



AC-22



60309-1
60309-4
60947-3



EMC

- [1] IP protection plug connected.
- [2] IP protection lid closed.
- [3] Flexible wiring (min.-max.).
- [4] Stranded wiring (min.-max.).

LOAD-BREAK CAPABILITY OF THE DECONTACTOR™

Comply with IEC/EN 60309-1 and IEC/EN 60309-4 standards	50 A/500 V AC
Load-break capability according to IEC/EN 60947-3/AC-22	50 A/400 V
	32 A/500 V



**Other cable sections:
please contact us**

**SOCKET-
OUTLET** female
DN3










INLET male
DN3



20-24 V AC	2P	193408A	193808A
220-250 V AC	1P+N+E	1934015	1938015
380-440 V AC	3P+E	1934013	1938013
220-250 V AC 380-440 V AC	3P+N+E	1934017	1938017
480-500 V AC	3P+E	1934093	1938093
480-500 V AC	3P+N+E	1934097	1938097

**Dual-voltage
socket-outlet**

► Other currents, voltages, frequencies and contact configurations are available.

OPTIONS	Reference
LOCKING PIN FOR 3 PADLOCKS Ø 8 mm (PADLOCK NOT SUPPLIED)	
	Socket-outlet ref. + 844
SAFETY HASP FOR UP TO 6 PADLOCKS	
	873A541
LARGER RELEASE BUTTON	
	Socket-outlet ref. +453
INLET CAP	
	193A126
180° OPENING LID	
	Socket-outlet ref. +10
SELF-RETURNING LID (WITHOUT FULL CLOSURE IP40)	
	Socket-outlet ref. +R
180° OPENING & SELF-RETURNING LID	
	Socket-outlet ref. +18
IP66/IP67 SOCKET-OUTLET AND INLET (RECOMMENDED IN THE CASE OF COUPLER SOCKET)	
	Ref. + 600


ELECTROMAGNETIC COMPATIBILITY (EMC) ● **NEW**





Please order a metal threaded accessory herewith, together with a EMC cable gland.





PRODUCTS AVAILABLE IN BLACK ●

The black dot means these products are also available in black color. Replace the second character of the product reference with 5

HANDLE	Input/ Cable outer Ø	Reference
POLY HANDLE WITH GLAND		
	18-25 mm	554P0D25L
	25-35 mm	554P0D35L
	35-45 mm	554P0D45L
	45-49 mm	554P0D49L
POLY HANDLE WITH GLAND ●		
	13-35 mm	514P0D35
POLY HANDLE + POLY CABLE GLAND ●		
	14-25 mm	514P032P
	18-32 mm	514P040P
	24-38 mm	514P050P
POLY HANDLE (WITHOUT CABLE GLAND) ●		
	M32	514P0M32
	M40	514P0M40
	M50	514P0M50
METAL HANDLE METRIC THREAD ENTRY (WITHOUT CABLE GLAND) ●		
	M25	594P0M25
	M32	594P0M32
	M40	594P0M40
	M50	594P0M50

HANDLE	Input/ Cable outer Ø	Reference
METAL HANDLE WITH METAL GLAND (+ EARTHING WIRE)		
	8-16 mm	594P025M
	16-24 mm	594P032M
	22-32 mm	594P040M
	34-44 mm	594P050M

BOXES		Input	Reference
POLY BOX ●			
	30°	M32	514B3M32
	30°	M40	514B3M40
METAL BOX (+ EARTHING WIRE) ●			
	20°	M25	594B2M25
	20°	M32	594B2M32
	20°	M40	594B2M40
POLY BOX+ POLY SLEEVE			
	70°	Without hole	514C7000
	70°	Hole Ø 32	514C7M32
	70°	Hole Ø 40	514C7M40
Extra earth bar ref: 51AA089			

METAL BOX (+ EARTHING WIRE) + POLY SLEEVE			
	30°	M25	514C3M25
	30°	M32	514C3M32
	30°	M40	514C3M40
	30°	M50	514C3M50
METAL BOX (+ EARTHING WIRE) + METAL SLEEVE ●			
	30°	M25	594C3M25
	30°	M32	594C3M32
	30°	M40	594C3M40
	30°	M50	594C3M50
	0° (Straight)	M25	594C0M25
	0° (Straight)	M32	594C0M32
	0° (Straight)	M40	594C0M40
	0° (Straight)	M50	594C0M50
	70°	M25	594C7M25
	70°	M32	594C7M32
	70°	M40	594C7M40
	70°	M50	594C7M50

Cable glands are not delivered with the boxes.

SLEEVE		Reference
POLY SLEEVE		
	30°	514M3
	70°	514M7
METAL SLEEVE ●		
	0° (Straight)	594M0
	30°	594M3
	70°	594M7

90 A

U MAX
500 V

DECONTACTOR™ DN6



IP54⁽¹⁾
IP55⁽²⁾



10-25 mm² ⁽³⁾
10-35 mm² ⁽⁴⁾



METAL



IK09



-40 °C
+60 °C



AC-22



60309-1
60309-4
60947-3



EMC

- (1) IP protection plug connected.
- (2) IP protection lid closed.
- (3) Flexible wiring (min.-max.).
- (4) Stranded wiring (min.-max.).

LOAD-BREAK CAPABILITY OF THE DECONTACTOR™

Comply with IEC/EN 60309-1 and IEC/EN 60309-4 standards	90 A/500 V AC
Load-break capability according to IEC/EN 60947-3/AC-22	90 A/400 V
	63 A/500 V



**Other cable sections:
please contact us**

**SOCKET-
OUTLET** female
DN6











INLET male
DN6



20-24 V AC	2P	196408A	196808A
220-250 V AC	1P+N+E	1964015	1968015
380-440 V AC	3P+E	1964013	1968013
220-250 V AC 380-440 V AC	3P+N+E	1964017	1968017
480-500 V AC	3P+E	1964093	1968093
480-500 V AC	3P+N+E	1964097	1968097
Auxiliaries 5 A/400 V AC	+ 4 contacts	Ref. + 264	Ref. + 264

**Dual-voltage
socket-outlet**




► Other currents, voltages, frequencies and contact configurations are available.

OPTIONS	Reference
LOCKING PIN FOR 3 PADLOCKS Ø 8 mm (PADLOCK NOT SUPPLIED) 	Socket-outlet ref. + 844
SAFETY HASP FOR UP TO 6 PADLOCKS 	873A541
LARGER RELEASE BUTTON 	Socket-outlet ref. +453
INLET CAP 	196A126
180° OPENING LID 	Socket-outlet ref. +10
SELF-RETURNING LID (WITHOUT FULL CLOSURE IP40) 	Socket-outlet ref. +R
180° OPENING & SELF-RETURNING LID 	Socket-outlet ref. +18
CLOSING MECHANISM 	Draw lever only: 196A376 Draw plate only: 196A396
IP66/IP67 SOCKET-OUTLET AND INLET (RECOMMENDED IN THE CASE OF COUPLER SOCKET)	Ref. + 600
ELECTROMAGNETIC COMPATIBILITY (EMC)	NEW
Please order a metal threaded accessory herewith, together with a EMC cable gland.	

HANDLE	Input/ Cable outer Ø	Reference
POLY HANDLE WITH GLAND		
	18-25 mm	555P0D25
	25-35 mm	555P0D35
	35-45 mm	555P0D45
	45-49 mm	555P0D49
POLY HANDLE + POLY CABLE GLAND		
	14-25 mm	515P032P
	18-32 mm	515P040P
	24-38 mm	515P050P
	35-48 mm	515P063P
POLY HANDLE (WITHOUT CABLE GLAND)		
	M50	515P0M50
	M63	515P0M63
METAL HANDLE WITH METAL GLAND (+ EARTHING WIRE)		
	16-24 mm	595P032M
	22-32 mm	595P040M
	34-44 mm	595P050M
	35-48 mm	595P063M
METAL HANDLE METRIC THREAD ENTRY (WITHOUT CABLE GLAND)		
	M32	595P0M32
	M40	595P0M40
	M50	595P0M50
	M63	595P0M63

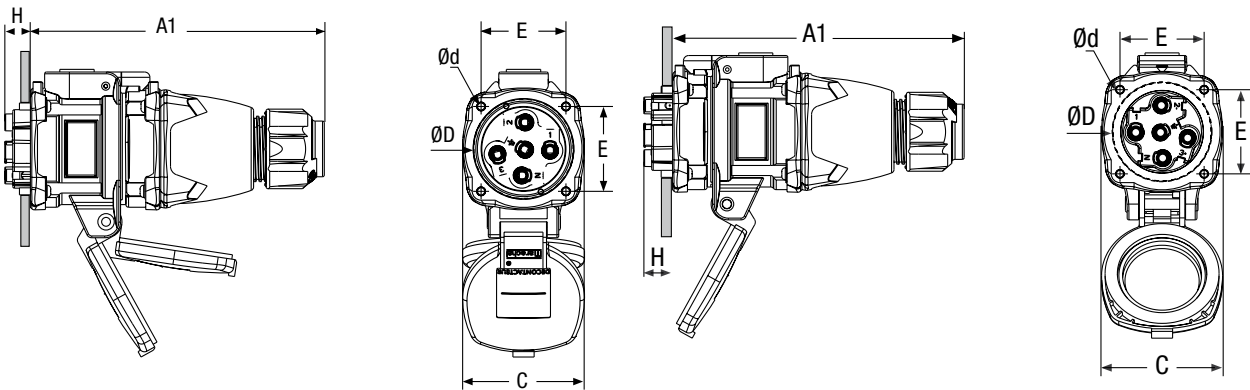
BOXES		Input	Reference
METAL BOX (+ EARTHING WIRE) + POLY SLEEVE			
	30°	M32	515C3M32
	30°	M40	515C3M40
	30°	M50	515C3M50
	30°	M63	515C3M63
METAL BOX (+ EARTHING WIRE) + METAL SLEEVE			
	30°	M32	595C3M32
	30°	M40	595C3M40
	30°	M50	595C3M50
	30°	M63	595C3M63
	0° (Straight)	M32	595C0M32
	0° (Straight)	M40	595C0M40
	0° (Straight)	M50	595C0M50
	0° (Straight)	M63	595C0M63
	70°	M32	595C7M32
	70°	M40	595C7M40
	70°	M50	595C7M50
	70°	M63	595C7M63
METAL BOX (+ EARTHING WIRE) + METAL SLEEVE + CORNET			
	0° (Straight)	M50	595E0M50
	30°	M50	595E3M50
	30°	M63	595E3M63
	70°	M50	595E7M50
	70°	M63	595E7M63

Cable glands are not delivered with the boxes.

SLEEVE		Reference
SLEEVE POLY		
	30°	515M3
METAL SLEEVE		
	0° (Straight)	595M0
	30°	595M3
		595M7

DRAWINGS AND DIMENSIONS

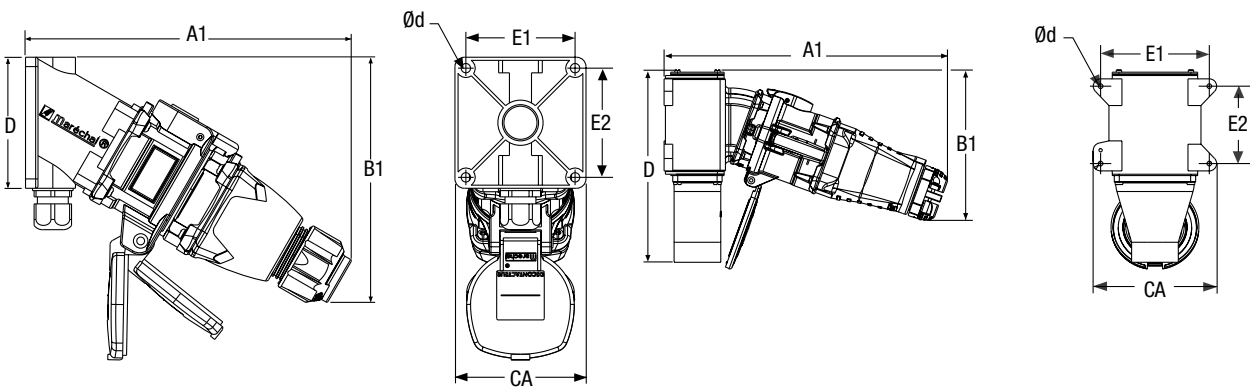
PLUG ON SOCKET-OUTLET



	A1	C	E	H	Ød*
DN8	174	69	48	12	5
DN1	174	81	55	15	5
DN3	212	95	66	22	5,5
DN6	311	118	81	25	6

PLUG ON 30° WALL MOUNTED SOCKET OUTLET

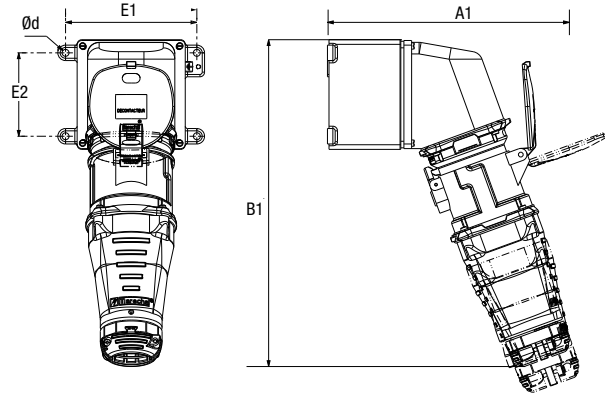
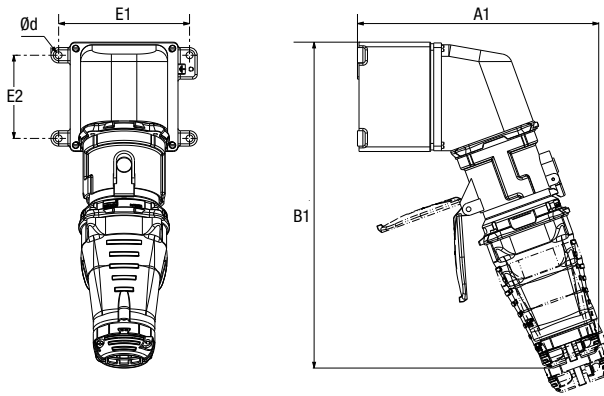
PLUG ON 70° WALL-MOUNTED SOCKET-OUTLET



	A1	B1	CA	D	E1	E2	Ød*
DN8	198	143	76	76	64	64	5,5
DN1	221	160	85	85	72	72	6
DN3	266	190	105	130	89	112	7
DN6	385	216	125	150	105	105	8

PLUG ON 30° INCLINED SOCKET-OUTLET

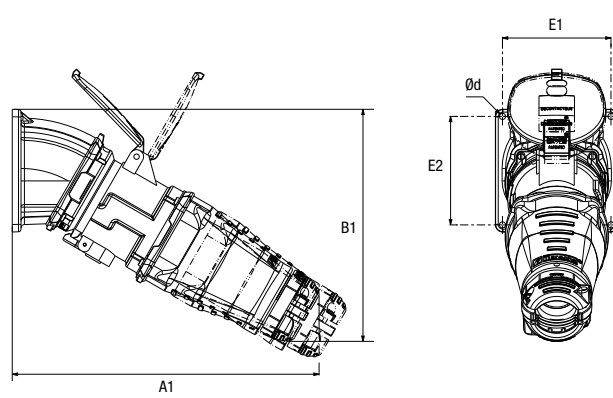
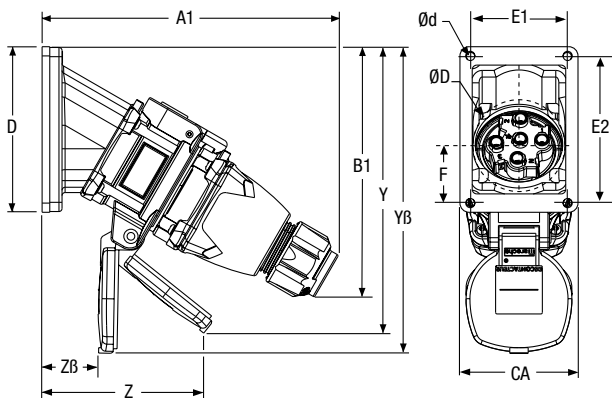
PLUG ON 70° INCLINED SOCKET-OUTLET



	A2	B2	E1	E2	Ød*
DN1	203	267	110	70	6,5
DN3	239	320	145	97	8,5
DN6	313	423	190	108	9

PLUG ON 30° INCLINED SOCKET-OUTLET

PLUG ON 70° INCLINED SOCKET-OUTLET

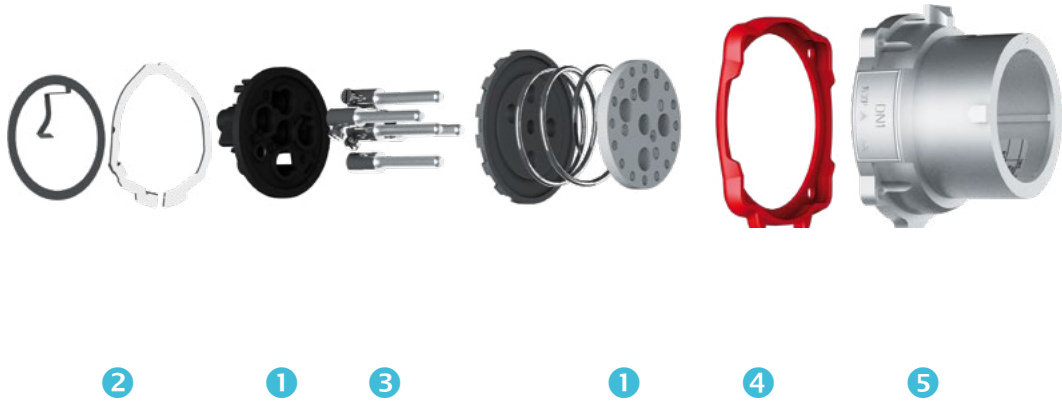





	A1	b1	D	E1	E2	Ød*
DN8	189	168	108	63	95	5,5
DN1	104	178	107	63	95	5,5
DN3	242	220	136	87	122	6,5
DN6	350	265	140	124	124	7

SPARE PARTS

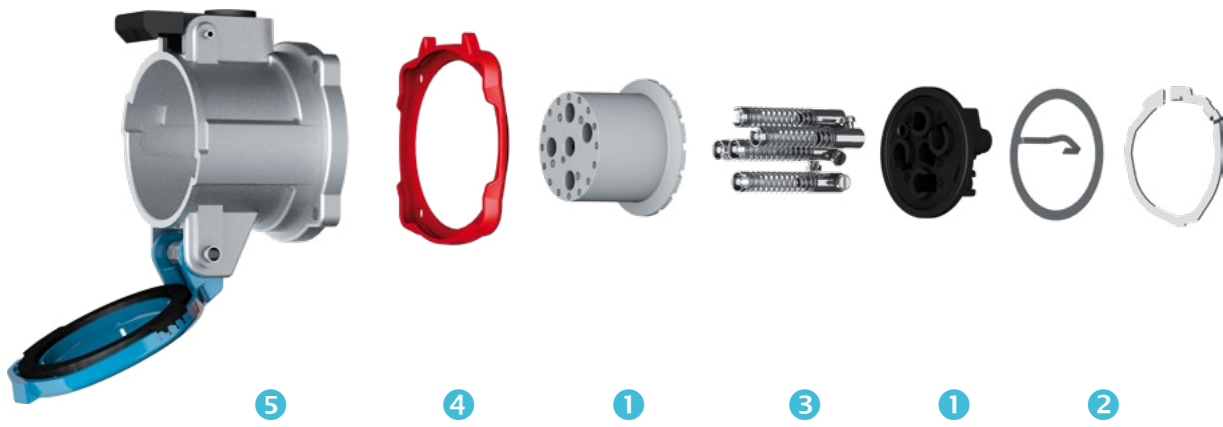


9,6
/10
REPAIRABILITY INDEX



FICHE		DN8 METAL	DN1 METAL	DN3 METAL	DN6 METAL	
1	Plug interior	198A110	191A110	193A110	196A110	
2	Locking ring	198A583	191A583	193A583	196A583	
3	Plug contact (P or N)	198A011	191A011	193A011	196A011	
4	Color-coded voltage gasket		311AB26	313AB26	316AB26	319AB26
			311AR26	313AR26	316AR26	319AR26
			311AN26	313AN26	316AN26	319AN26
5	Plug casing	198A501	191A501	193A501	196A501	

CONTACT US FOR SPARE PARTS.



SOCLE		DN8 METAL	DN1 METAL	DN3 METAL	DN6 METAL
1	Plug interior	198A220	191A220	193A220	196A220
2	Locking ring	198A583	191A583	193A583	196A583
3	Plug contact (P or N)	198A021	191A021	193A021	196A021
4	Color-coded voltage gasket	311AB26	313AB26	316AB26	319AB26
		311AR26	313AR26	316AR26	319AR26
		311AN26	313AN26	316AN26	319AN26
5	Plug casing	198A524	191A524	193A524	196A524

Warning! DN8 and DN1 metal are supplied with a poly lid as standard, but can be supplied with a metal lid, in particular for IP66 and IP67 protection.

CONTACT US FOR SPARE PARTS.